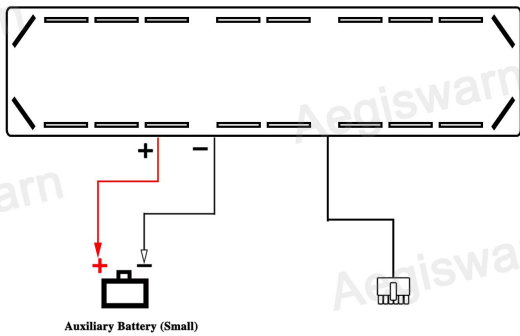
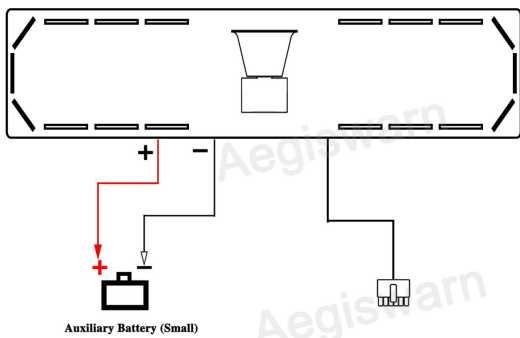


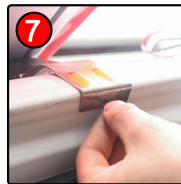
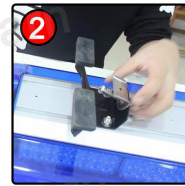
Installation



Wiring diagram :
(Fits EV & fuel cars)

Negative "-" connect to big battery
Positive "+" connect to small battery

Installation Steps



WARNING

Improper installation or wiring may result in vehicle damage or detachment. Please ensure all connections are secure and follow the installation guide strictly.